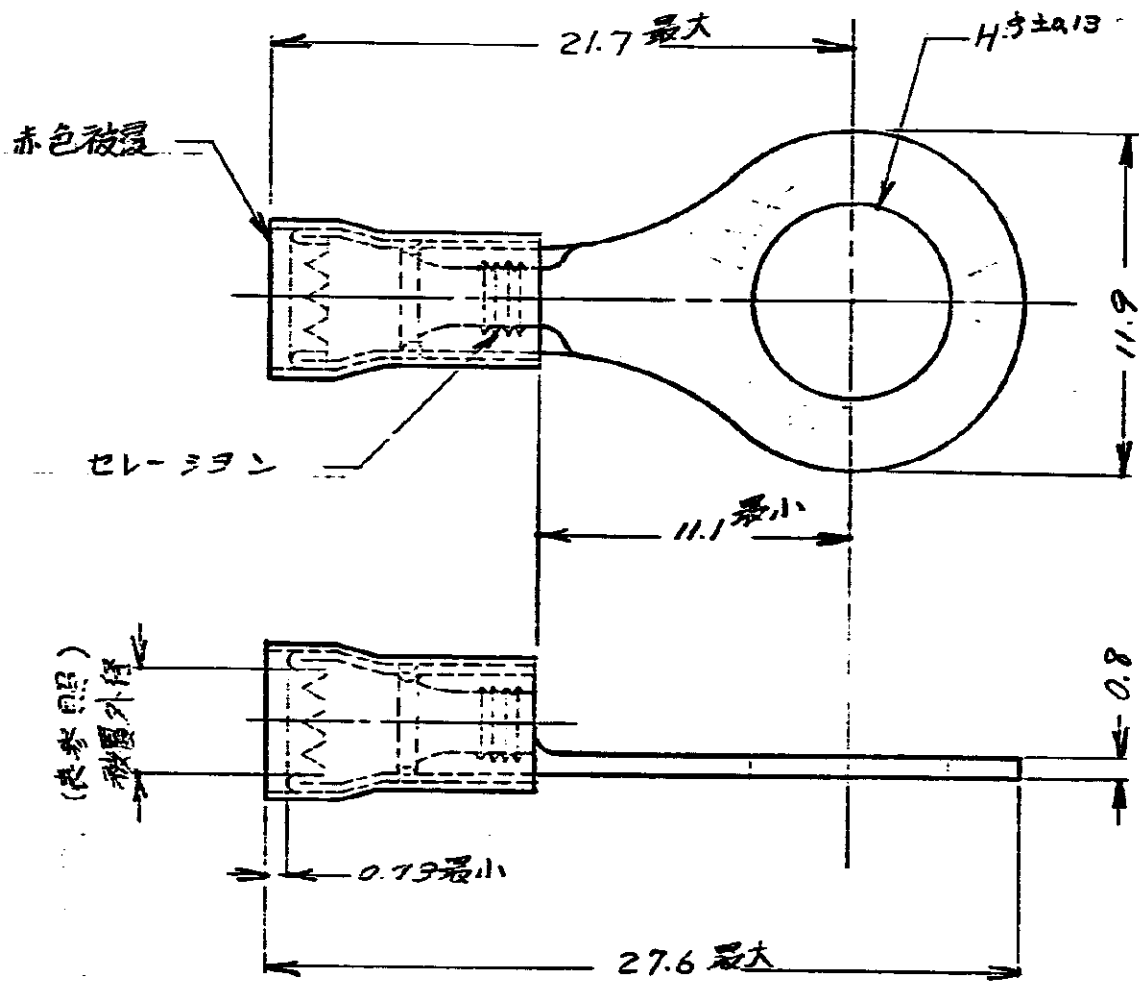


C-171507



| 型番 | スワド | H寸法 | 被覆外径 |
|----------|------|------|-------------|
| 171507-1 | 1/4 | 6.73 | 2.03 ~ 3.18 |
| ↓ -2 | 5/16 | 8.33 | 2.03 ~ 3.18 |
| ↓ -3 | 1/4 | 6.73 | 2.66 ~ 3.56 |
| 171507-4 | 5/16 | 8.33 | 2.66 ~ 3.56 |

DIMENSIONS IN AIR DO NOT SCALE PRINT

| | | | | | |
|------------------------------------|--|---|--|-------------------------------------|--|
| E REVISED (REV-D) X.Y.N.S. 4/1/72 | | © 1975 BY AMP CORP. LTD. ALL RIGHTS RESERVED AMP PRODUCTS COVERED BY PATENTS AND/OR PATENTS PENDING | | 参考図面 (CUSTOMER COPY REFERENCE ONLY) | |
| D REVISED (REV-C) S.O. 4/1/72 | | MATERIAL 無気銅 | | TRADE MARK | |
| C ADDED MARK H.S. ARI 3/1/75 | | ALL TRADE MARKS 銅のつき | | TOKYO, JAPAN | |
| B REVISED (REV-B) H.S. ARI 7/1/75 | | DIMENSION RANGE 0.26 ~ 1.04 | | CLASS 4 | |
| A REVISED (REV-A) H.S. K.M. 1/1/72 | | SCOPE 表本図 | | 7-1-122447-2 271507 | |
| G 631092-21-31825 | | TOLERANCE: ±0.04 EXCEPT AS NOTED | | 4-1 J A C-171507 E | |
| 4 | | REVISION RECORD: DR. CHK. DATE | | NAME: 丸型端 | |